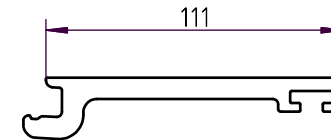
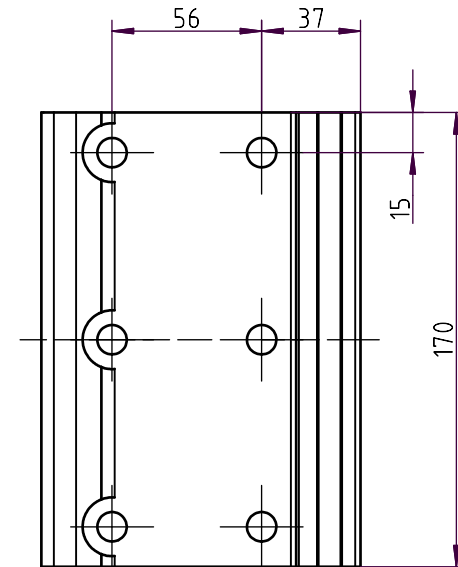


Roof bracket 71.0501.xxxx



All rights reserved. This drawing is the property of Hunter Douglas Scandinavia AB. This drawing may not be copied or multiplied in any way, neither wholly nor in part. It may not be submitted for perusal or in any way shared with third parties without the written consent of Hunter Douglas Scandinavia AB.

Designer	Drawn	Project	Weight		Date	Replaces
			N/A		2026-02-04	
HunterDouglas		Description			Scale	Sheet
		FA72			1 : 2	2 / 2
Hunter Douglas Scandinavia AB		Article number			Drawing number	Rev.