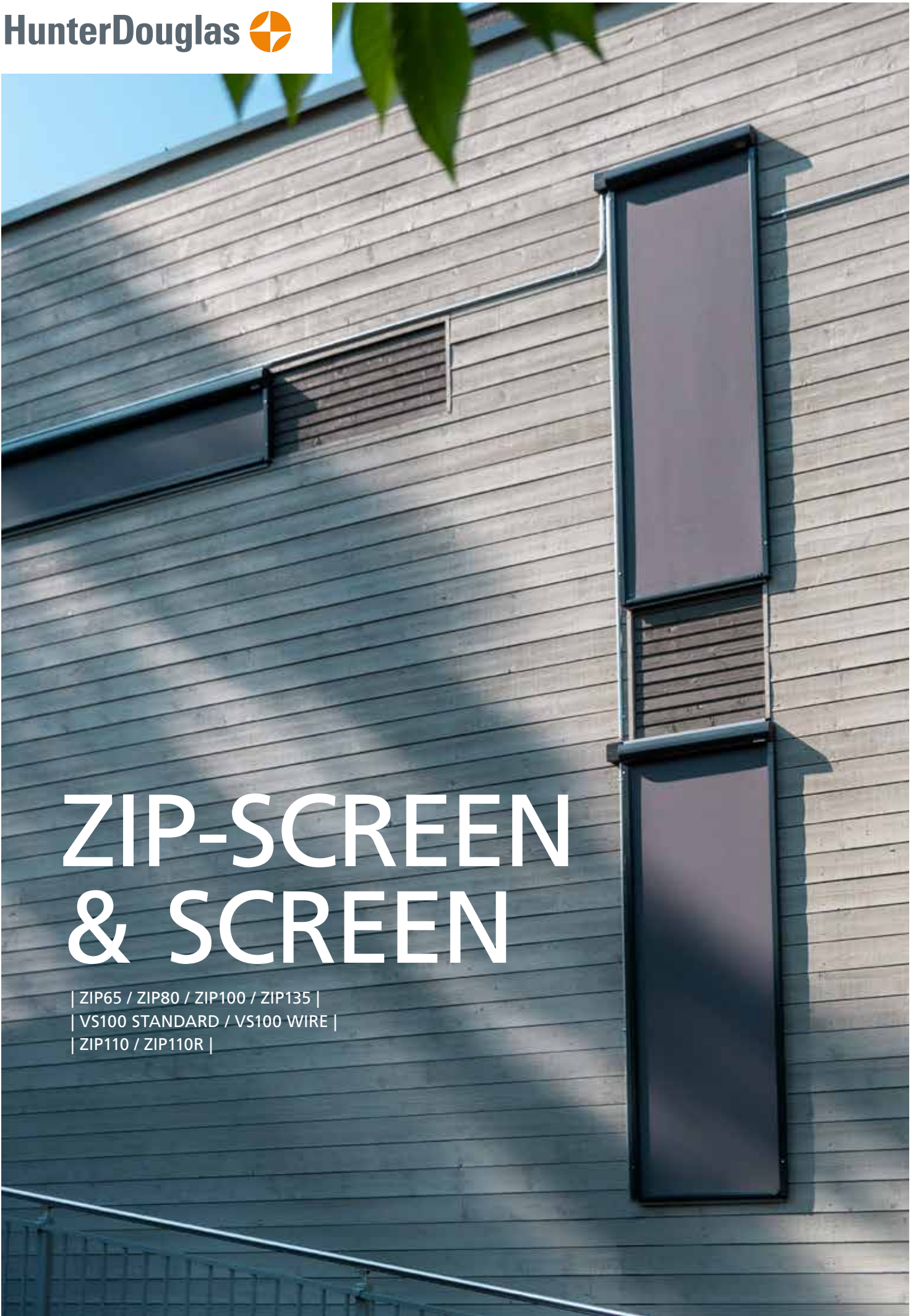


# ZIP-SCREEN & SCREEN

| ZIP65 / ZIP80 / ZIP100 / ZIP135 |  
| VS100 STANDARD / VS100 WIRE |  
| ZIP110 / ZIP110R |



# FOR ANY BUILDING!

There are many variants in the Hunter Douglas Screen system, all of which are perfectly suited to both private buildings and public environments. The products work especially well when you want to control the inflow of natural light while retaining visual contact with the outdoors. A product from the Screen series also reflects heat and stops annoying glare.

Thanks to the system's wide range, you can choose the exact product that best fits your new or existing building. Every model in the series is wind-class tested and CE marked.





# ALL YEAR ROUND. WHATEVER THE WEATHER.

Hunter Douglas Zip-Screen products are a windproof system that serves as a form of dynamic wall with no gaps between the screen fabric and side rails. You can use your Zip-Screen all year round and in all weather conditions. Furthermore, a Zip-Screen can be used as an extra layer of insulation during the winter.

This means you can avoid the problem of condensation on the outside of your windows. Another advantage of the Zip-Screen is that it keeps out unwanted insects in the summer.

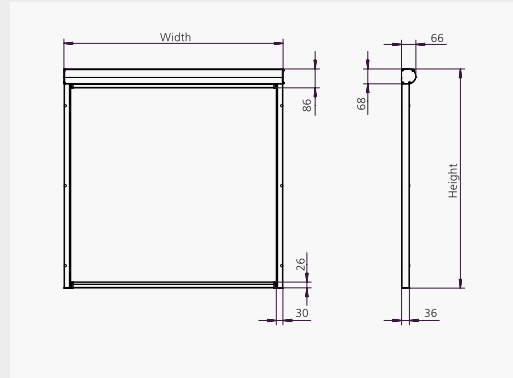
# ZIP-SCREEN 65/80/100/135

Zip-Screen is the premium model in the series and is available in the following cassette sizes: 65, 80, 100, and 135 mm.

## ZIP65

A neat and compact tape-operated Zip-Screen.  
Maximum size:  
1400 x 1600 mm (WxH).

ZIP65



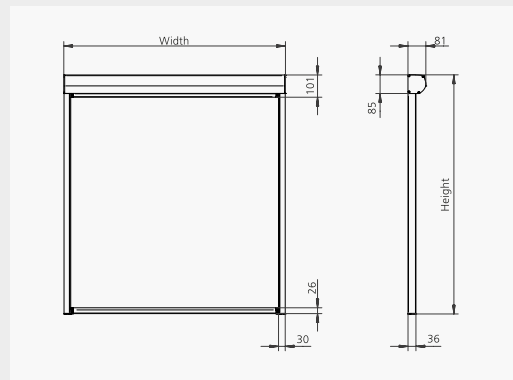
## ZIP80

A neat and compact Zip-Screen that can be operated using either a tape or motor.  
Maximum size:  
2200 x 2200\* mm WxH).  
\* The maximum height when tape-operated is 2000 mm

ZIP80



ZIP80 Square



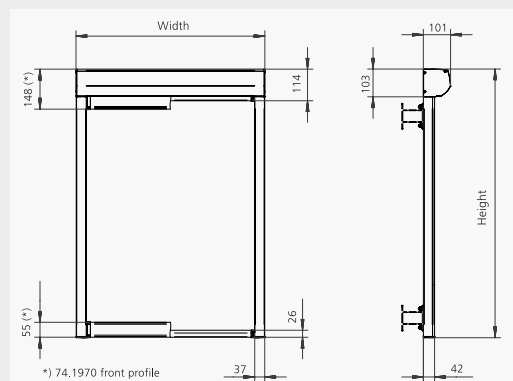
## ZIP100

A motor-operated Zip-Screen.  
Maximum size:  
4000 x 3500 mm (WxH).

ZIP100



ZIP100 Square



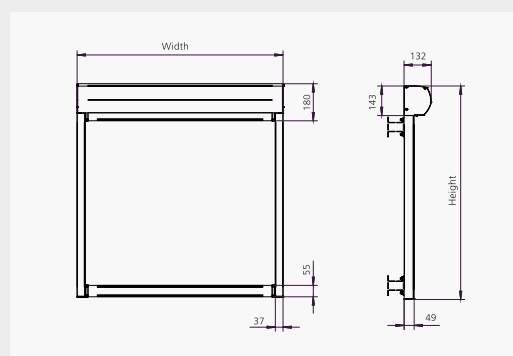
## ZIP135

A robust motor-operated Zip-Screen for large window sections.  
Maximum size:  
6000 x 3000 mm /  
4000 x 6000 mm (WxH)

ZIP135



ZIP135 Square



# SCREEN VS100 STANDARD & WIRE

The VS100 with traditional guide rails or wire guide is our base model that can be used when a regular Screen product will cover your needs.

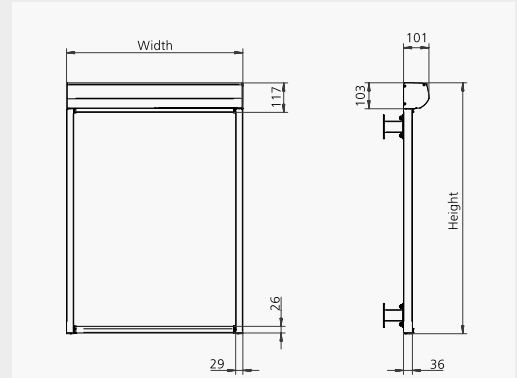
## VS100 STANDARD

A Screen product with a front profile that is guided by way of a "regular" aluminium side rail. Motor-operated.  
Maximum size:  
4000 x 2750 mm /  
2500 x 3500 mm (WxH)

VS100 Standard



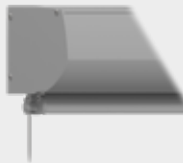
VS100 Standard Square



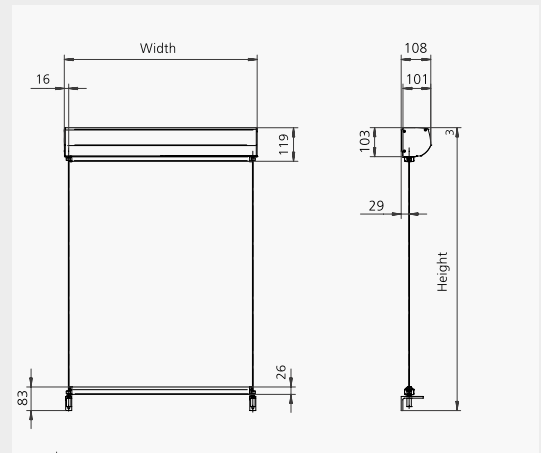
## VS100 WIRE

A product from the Screen series with a motor-operated wire-guided front profile. The wire guide results in an installation that is more visually discrete on the façade.  
Maximum size:  
4000 x 2500 mm /  
2500 x 3000 mm (WxH)

VS100 Wire



VS100 Wire Square

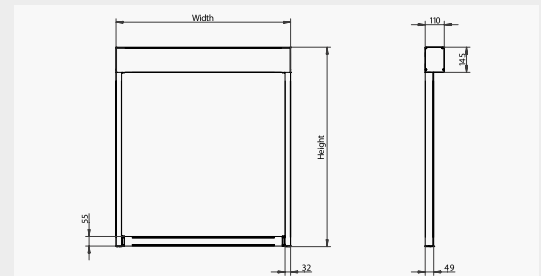


# ZIP-SCREEN 110 & RECESS ZIP-SCREEN 110R

## ZIP110

On this Zip-Screen the front profile goes up into the cassette. Motor-operated.  
Maximum size:  
4000 x 3500 mm (WxH)

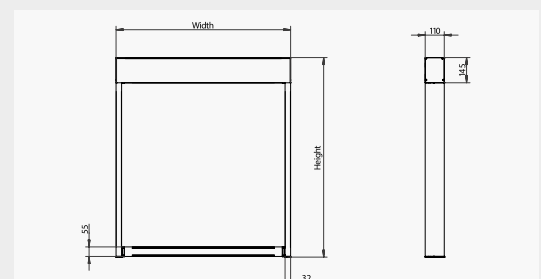
ZIP 110



## ZIP110R

Is a recess Zip-screen which can be built-in into the facade. Motor and fabric can be dismantled from below the cassette. Both standard and deep guiding rails. Motor-operated.  
Maximum size:  
4000 x 3500 mm (BxH)

ZIP 110R



# WIND CLASSES

| ZIP-SCREEN 65/80/100/135 | VS100 STANDARD/WIRE |

- WIND CLASS 6 EN 13561
- WIND CLASS 3 EN 13561
- OUTSIDE OUR RECOMMENDATIONS

ZIP65	1.0	1.20	1.40
1.0			
1.20			
1.40			
1.60			

ZIP80	1.0	1.20	1.40	1.60	1.80	2.0	2.20
1.0							
1.20							
1.40							
1.60							
1.80							
2.0							
2.20							

ZIP100/110	1.0	1.25	1.50	1.75	2.0	2.25	2.50	2.75	3.0	3.25	3.50	3.75	4.0
1.0													
1.25													
1.50													
1.75													
2.0													
2.25													
2.50													
2.75													
3.0													
3.25													
3.50													

ZIP135	1.0	1.25	1.50	1.75	2.0	2.25	2.50	2.75	3.0	3.25	3.50	3.75	4.0	4.25	4.50	4.75	5.0	5.25	5.50	5.75	6.0	
1.0																						
1.25																						
1.50																						
1.75																						
2.0																						
2.25																						
2.50																						
2.75																						
3.0																						
3.25																						
3.50																						
3.75																						
4.0																						
4.25																						
4.50																						
4.75																						
5.0																						
5.25																						
5.50																						
5.75																						
6.0																						

VS100 STANDARD	1.0	1.25	
----------------	-----	------	--

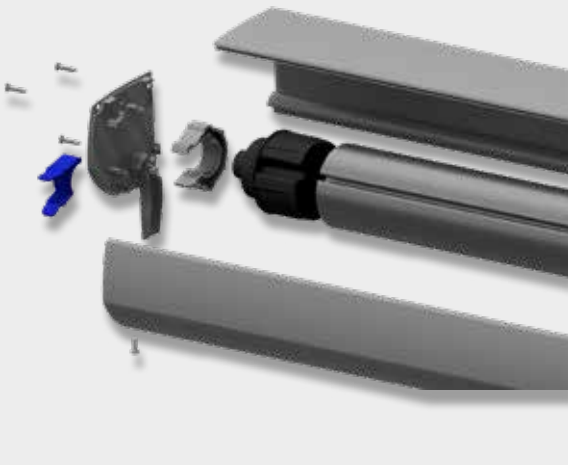
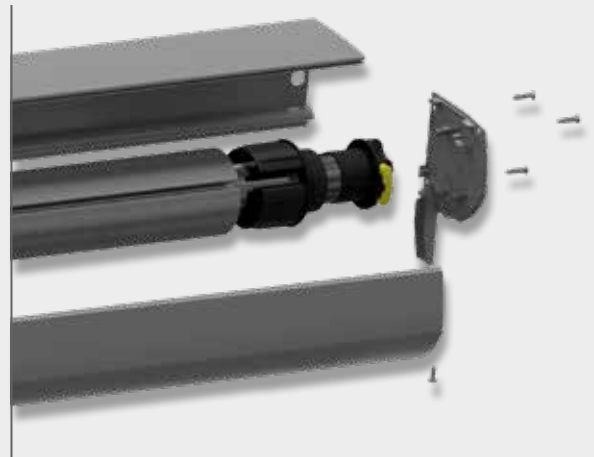
# SIMPLE TO MANUFACTURE

Unlike other products on the market, the Hunter Douglas Zip-Screen system is quick and easy to manufacture and install. A well thought-out basic design facilitates easy manufacture and results in a robust and reliable end product.



All the internal functions are integrated into a few robust components. No cut-outs from profiles, and no screws to install the motor or other parts inside the cassette.

This also makes any future servicing much easier. The motor is easily accessible upon opening the cover, such as when adjusting end limits.

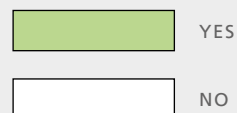


Once the visible blue safety lock is unfastened the roller tube can be removed from the cassette if the fabric needs to be replaced. Simple and intuitive, with no tools required.

The fact that many of the components are shared between the various cassette sizes offers considerable advantages and flexibility for the manufacturer of the system.

# SPECIFICATIONS

| ZIP-SCREEN 65/80/100/135 | VS100 STANDARD/WIRE | ZIP110/ZIP110R



PROFILE	ZIP65	ZIP80	ZIP100	ZIP135	VS100 STD	VS100 WIRE	ZIP 110	ZIP 110R
One-part cassette								
Two-part cassette								
Three-part cassette								
One-part guide rail								
Two-part snap guide rail								
Two-part screw guide rail								
Standard front profile								
Heavy-duty front profile								
CASSETTE MODEL	ZIP65	ZIP80	ZIP100	ZIP135	VS100 STD	VS100 WIRE		
Rounded								
Square								
Aluminium end caps								
Fibreglass plastic end caps								
INSTALLATION OPTIONS	ZIP65	ZIP80	ZIP100	ZIP135	VS100 STD	VS100 WIRE		
Wall								
Recess								
Distance holding brackets								
Bracket-mounted cassette								
Built-In version								
Easy fabric and motor servicing								
OPERATION	ZIP65	ZIP80	ZIP100	ZIP135	VS100 STD	VS100 WIRE		
Tape/Chord								
Motor 40mm								
Motor 50mm								
Series-connection								
COLOURS	ZIP65	ZIP80	ZIP100	ZIP135	VS100 STD	VS100 WIRE		
Plain aluminium								
Semi-anodised								
White								
Silver								
Black shimmer								
CE-MARKING	ZIP65	ZIP80	ZIP100	ZIP135	VS100 STD	VS100 WIRE		
Wind class 3								
Wind class 6								
MARKETING MATERIALS	ZIP65	ZIP80	ZIP100	ZIP135	VS100 STD	VS100 WIRE		
Installation manual								
Architect view								