



SA60

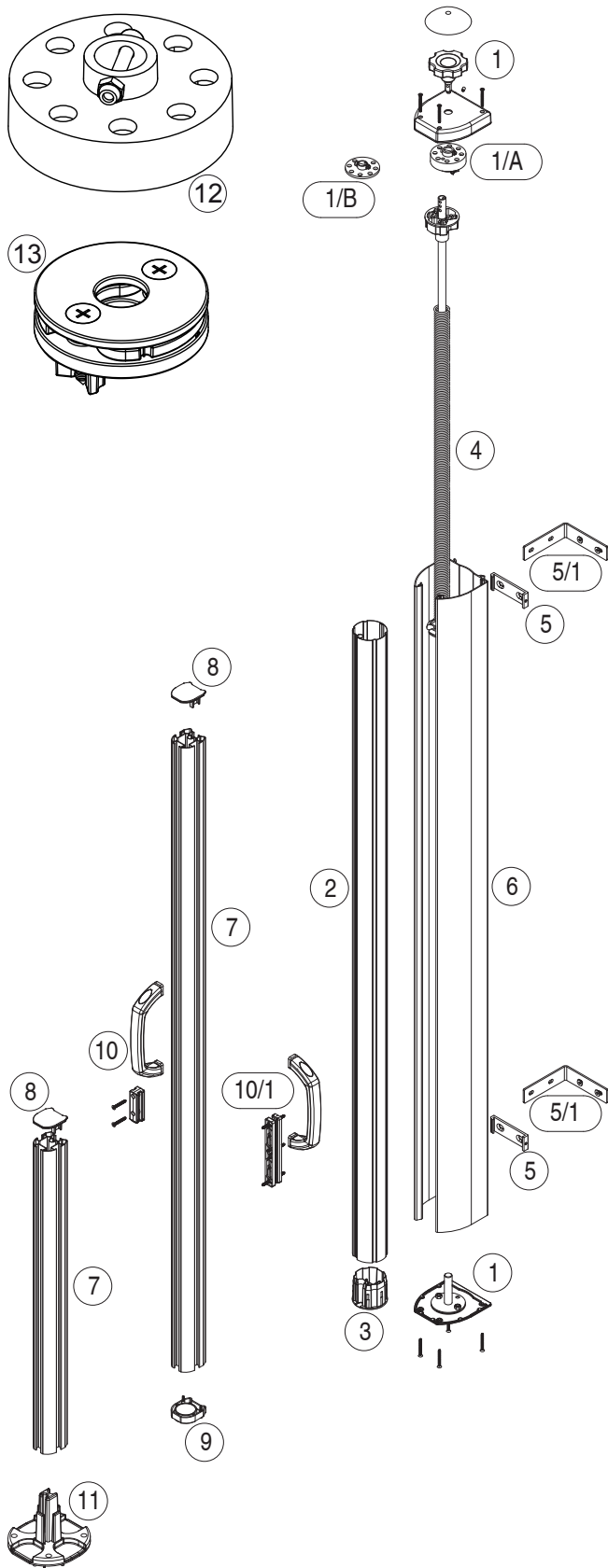
Installation manual

Contents

1. TECHNICAL TABLES FOR INSTALLATION	4
1.1 Table of bracket distances.....	4
1.2 Loading table of plugs for fastening awnings based on type of support surface.....	4
2. TECHNICAL DATA	6
2.1 Exploded view diagram	6
2.2 Dimensions	7
2.3 Support brackets	8
3. AWNING INSTALLATION.....	11
3.1 Preparation of templates for fastening brackets to the wall/ceiling	12
3.2 Bracket installation	14
3.3 Foot installation	14
3.4 Awning installation	14
3.5 Spring tensioning	15
3.6 Completion of installation	15
4. EXTRAORDINARY MAINTENANCE	16
4.1 Troubleshooting Table	16

2. TECHNICAL DATA

2.1 Exploded view diagram

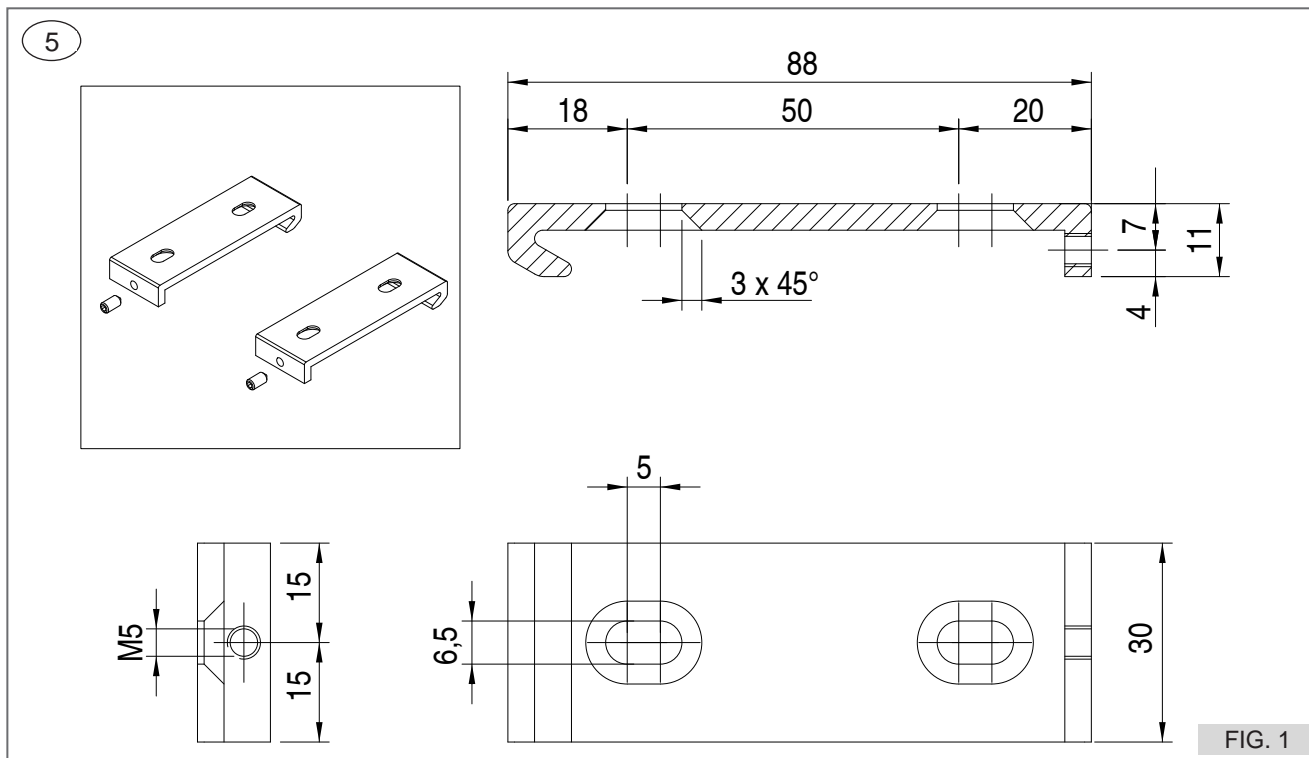


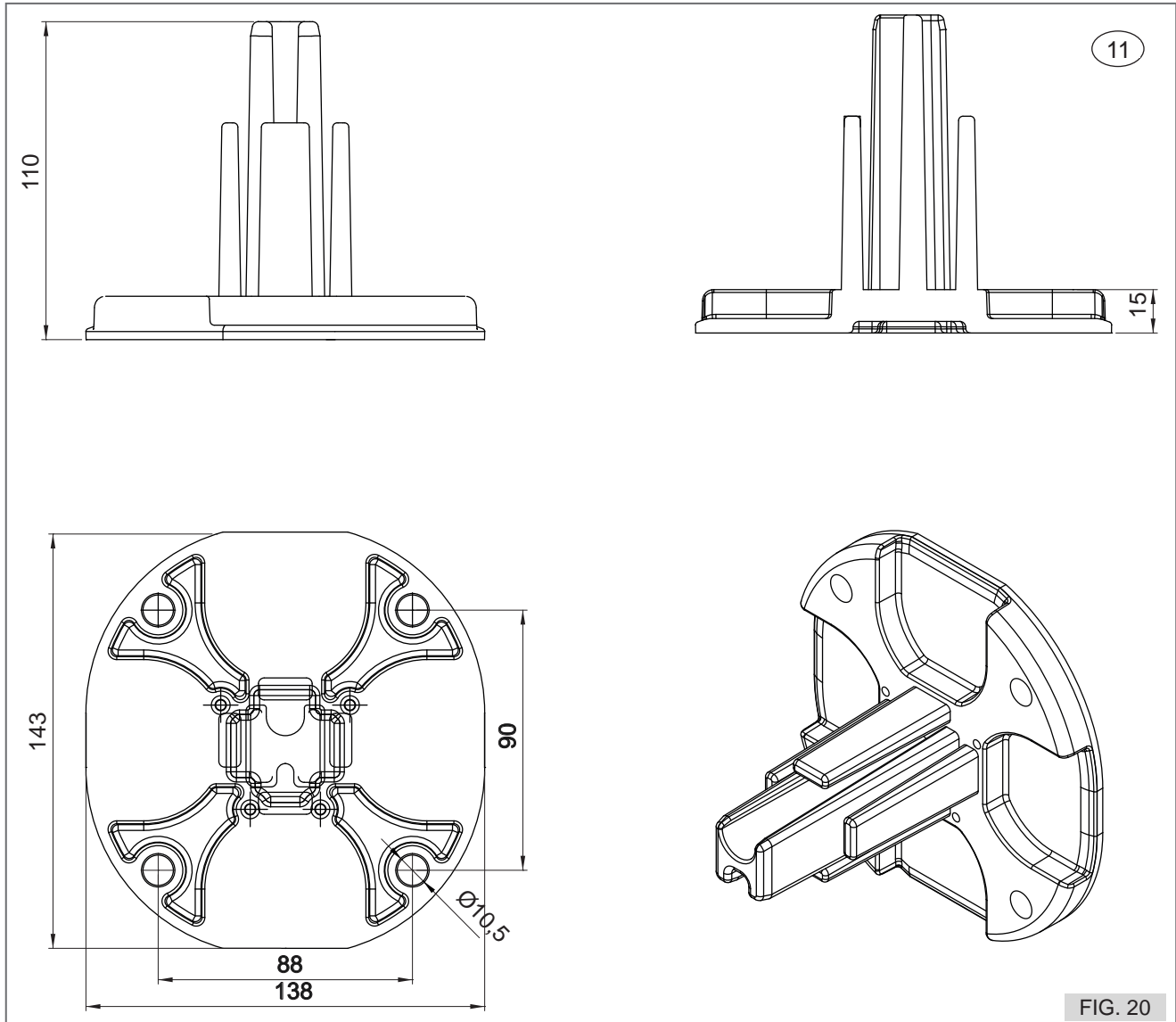
- 1 Case caps
- 1/A "Securstop"
- 1/A/1 "Securstop" small size
- 1/B Plate for assembled spring
- 2 "Rollerbat" Ø63mm
- 3 Ø63mm cap with hole Ø14mm
- 4 Assembled spring Ø63mm
- 5 Case wall/ceiling brackets
- 5/1 Case wall/ceiling bracket
- 6 I12223 Case
- 7 R18798 Terminal profile
- 8 Cap for terminal R18798
- 9 Cap for terminal R18798 with wheel
- 10 Front attachment handle and hook
- 10/1 Side attachment handle and hook
- 11 Foot

SAFETY KIT

- 12 Locking device
- 13 Lower support

2.3 Support bracket





3. AWNING INSTALLATION

The awning can be installed either on the wall or ceiling

! All lifting and handling operations must be performed with the utmost care and in compliance with legislation covering handling of loads, making absolutely sure that unauthorised persons stay at a safe distance and that no one goes below any suspended loads, whether still or moving.

i Use the most suitable wall plugs for the type of wall the awning is to be installed on.

- If the awning is to be installed on a ceiling, do not fasten the brackets to any hollow-pot flooring sections, as this would lead to a great risk of the awning falling, with serious consequences.

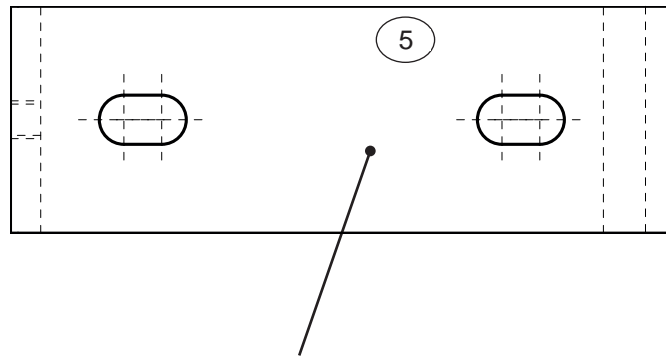
Note the following information, required to find the correct fastening position of the brackets, before starting installation:

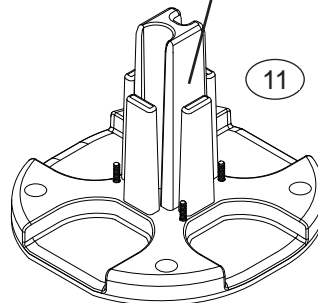
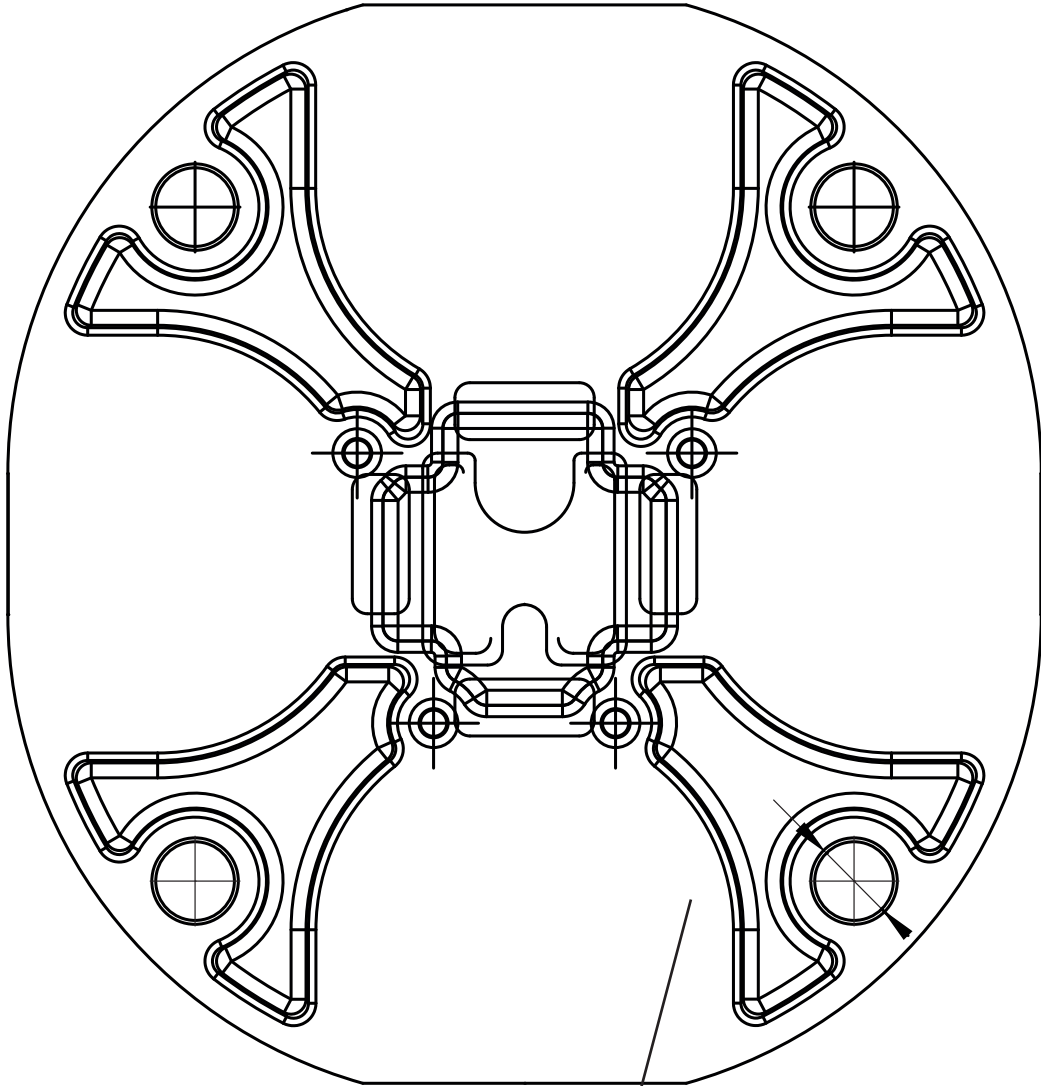
- Dimensions of the awning (box height and width, projection with awning open and closed)
- support bracket dimensions (see Chap. 6.3)
- Dimensions of the wall/ceiling the awning is to be installed on.

3.1 Preparation of templates for fastening brackets to the wall/ceiling

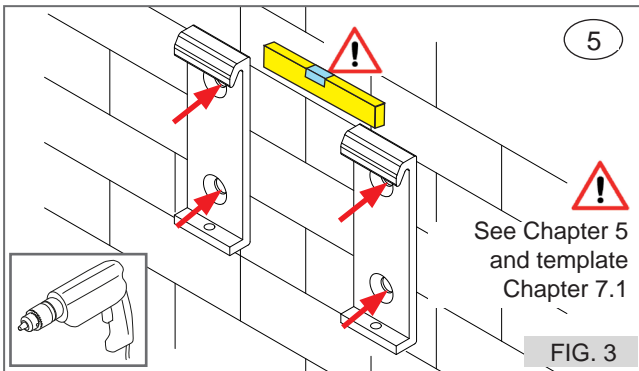
! PRINT OUT THE FOLLOWING TEMPLATES ON A4 PAPER, CHECKING THAT THE ACTUAL MEASUREMENTS MATCH THOSE GIVEN IN CHAP. 6.3 - SUPPORT BRACKETS, PAG. 10.

WALL BRACKET scale 1:1



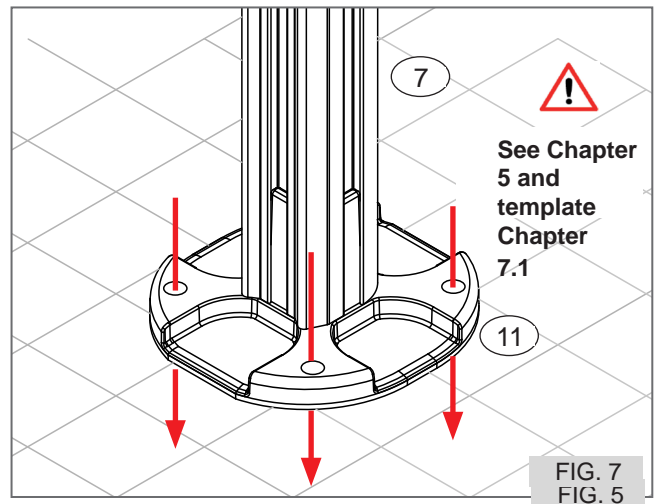
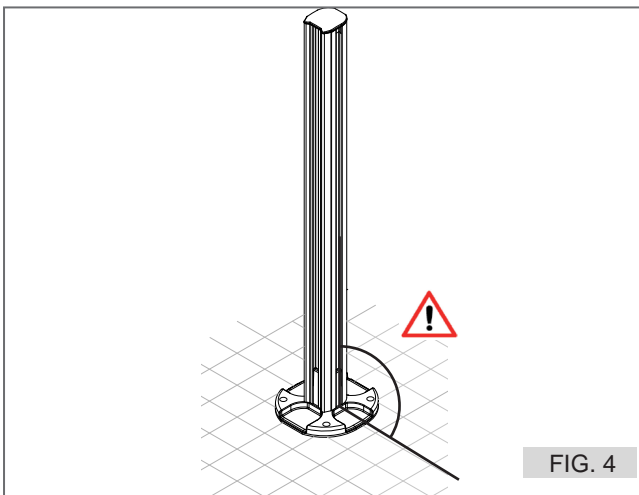


Bracket installation

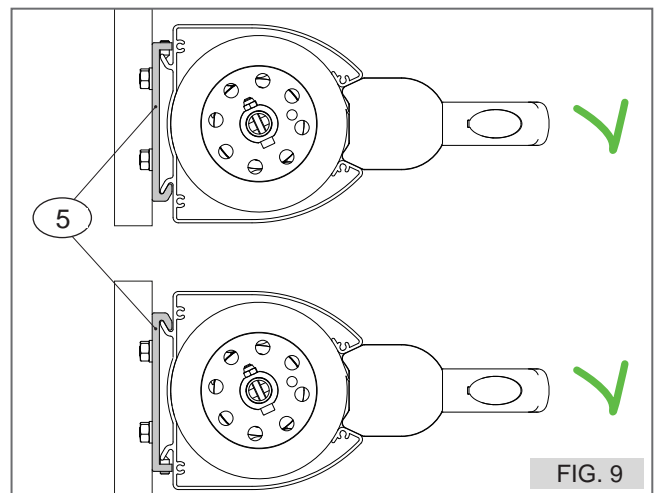
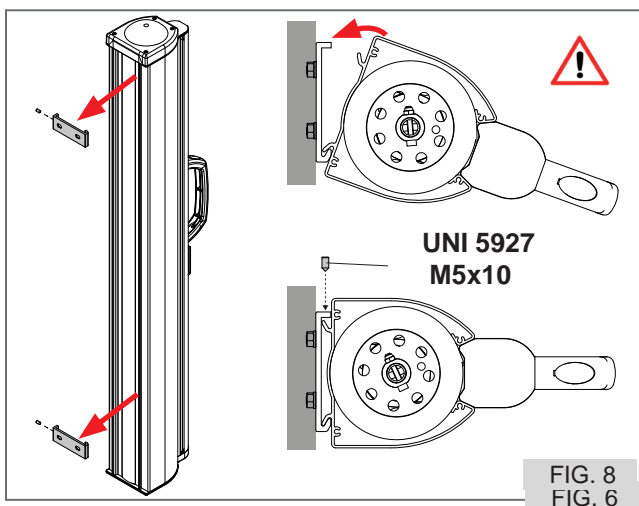


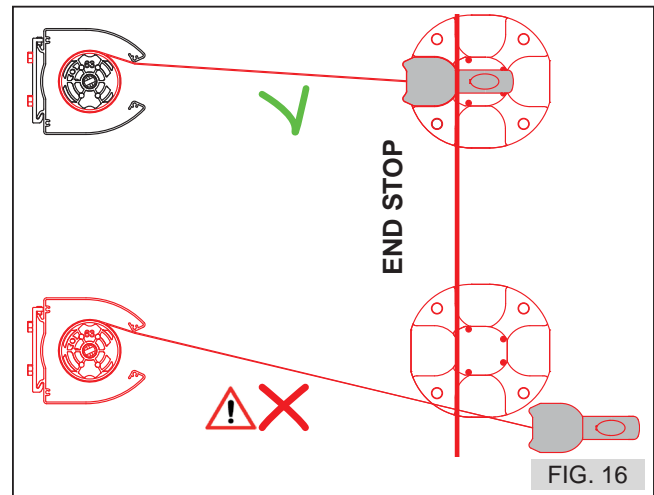
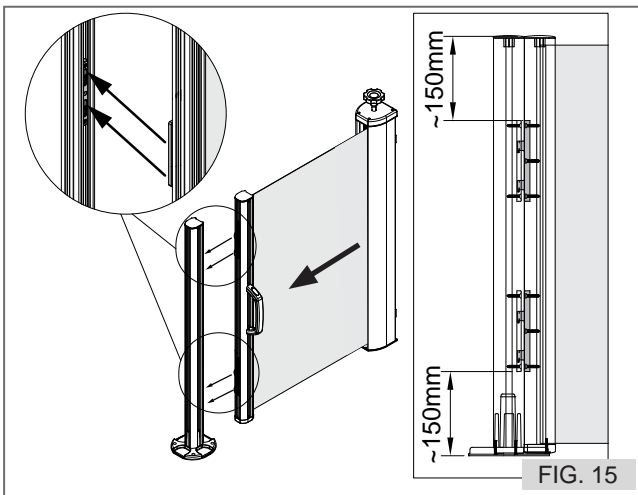
! Check that the brackets are correctly aligned, adding spacers if necessary to ensure linearity for correct installation.

FOOT INSTALLATION



AWNING INSTALLATION





EXTRAORDINARY MAINTENANCE

4.1 Troubleshooting Table

MANUAL AWNING

PROBLEM	CAUSES	SOLUTIONS
Fabric does not roll up evenly (forms cone)	Fabric not of even thickness	Roll up the fabric completely

Fabric unrolling beyond the end stop, accidental release of the terminal with the fabric getting stuck

Pulling the fabric beyond the position of the column leading to blocking of the SECURSTOP

Manually rotate the roller tube until the SECURSTOP releases

! CAUTION
Hook the terminal onto the column during this operation.

HunterDouglas 

Hunter Douglas Scandinava
Kristineholmsvägen 14A
441 39 Alingsås
Tel +46 322 775 00
Fax +46 322 775 99
info@hunterdouglas.se
www.hunterdouglas.se